

AMALFI

Mod.100 - Residential woodburning oven



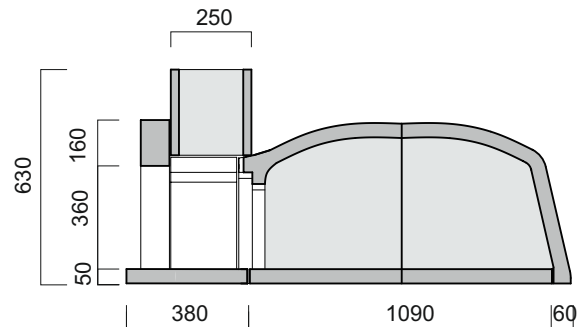
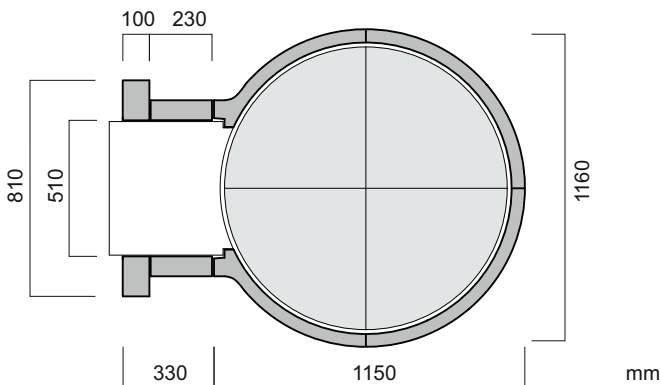
Oven with Arch KIT



Oven assembling KIT with Arch KIT



Oven without Arch KIT



AMALFI 100 + ARCH KIT

Components: 4 floor elements, 4 dome elements, 1 sill, 1 metal door with thermometer, 2 lateral parts, brick style arch, standard hood.

Oven external dimensions (mm)	Length 1530 x Width 1160 x Height 630
Flue dimensions (recommended, mm)	180
Pizza capacity (no. of pizzas at a time)	4/5
Oven weight with Arch KIT - Oven only (Kg)	375 - 280