

CAPRI

Mod.100 x 140 - Residential woodburning oven



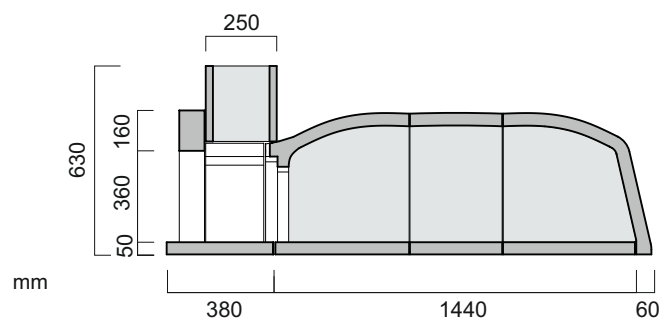
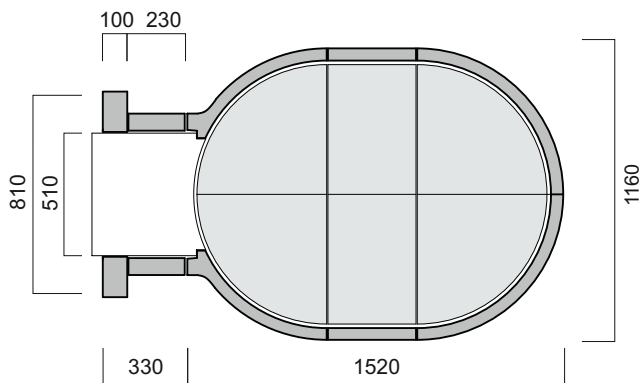
Oven with Arch KIT



Oven assembling KIT with Arch KIT



Oven without Arch KIT



CAPRI 100 X 140 + ARCH KIT

Components: 6 floor elements, 6 dome elements, 1 sill, 1 metal door with thermometer, 2 lateral parts, brick style arch, standard hood.

Oven external dimensions (mm)	Length 1900 x Width 1160 x Height 630
Flue dimensions (recommended, mm)	180
Pizza capacity (no. of pizzas at a time)	7/9
Oven weight with Arch KIT - Oven only (Kg)	485 - 390