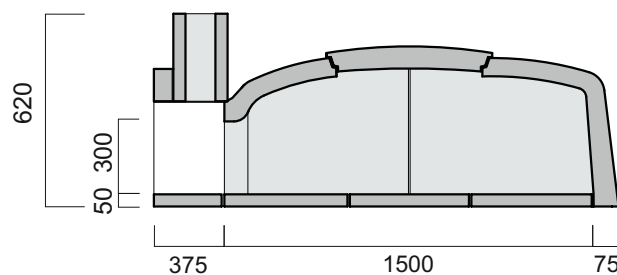
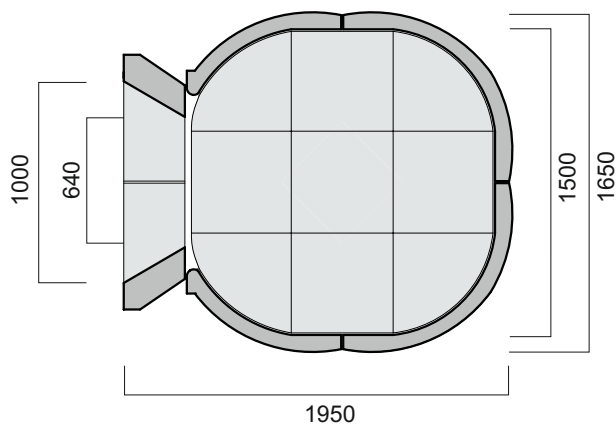


DON GENNARO

Mod.150 - Professional woodburning oven



10/12
PIZZAS



DON GENNARO

Components: 9 refractory cotto wear resistant floor elements, 9 refractory cotto dome elements, 2 sill base slabs, 1 metal door with thermometer, 2 lateral parts for oven mouth, 1 arch, standard hood.

| | |
|--|--|
| Oven external dimensions (mm) | Diameter 1500 - Length 1950 x Width 1650 x Height 650 |
| Flue dimensions (recommended, mm) | 200 |
| Pizza capacity (no. of pizzas at a time) | 10/12 |
| Oven weight with Arch KIT (Kg) | 1015 |