

# NAPOLI

Mod.80 - Residential woodburning oven



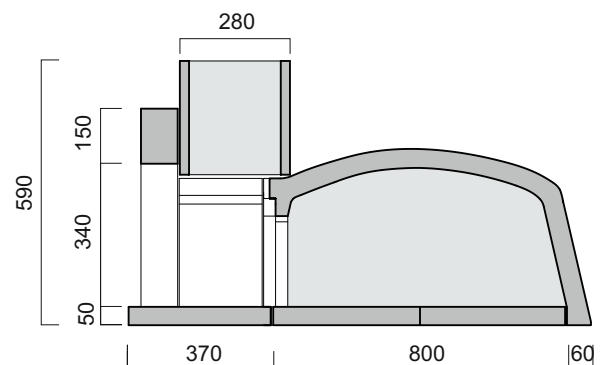
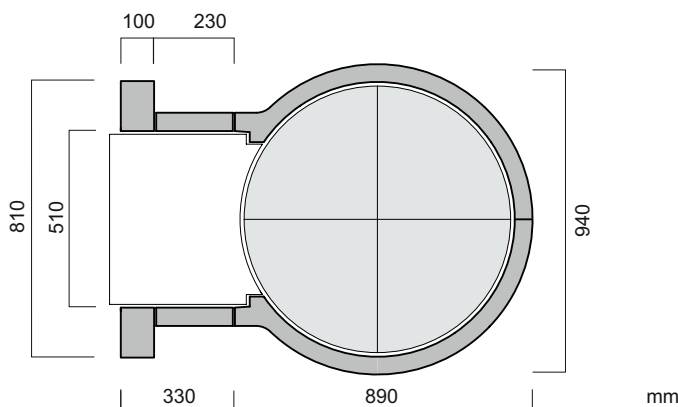
**Oven with Arch KIT**



**Oven assembling KIT  
with Arch KIT**



**Oven without Arch KIT**



## NAPOLI 80 + ARCH KIT

**Components:** 4 floor elements, 2 dome elements, 1 sill, 1 metal door with thermometer, 2 lateral parts, brick style arch, standard hood.

Oven external dimensions (mm)	<b>Length 1230 x Width 940 x Height 590</b>
Flue dimensions (recommended, mm)	<b>180</b>
Pizza capacity (no. of pizzas at a time)	<b>2/3</b>
Oven weight with Arch KIT - Oven only (Kg)	<b>245 - 155</b>