

PROCIDA

Mod.110 x 160 - Residential woodburning oven



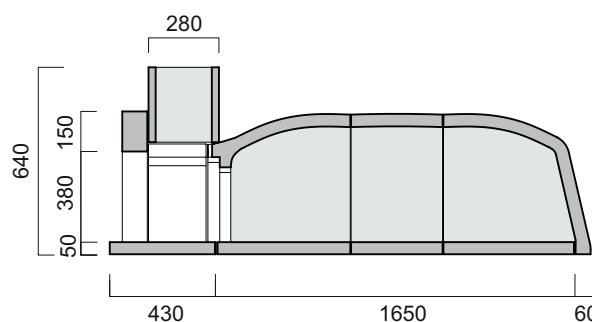
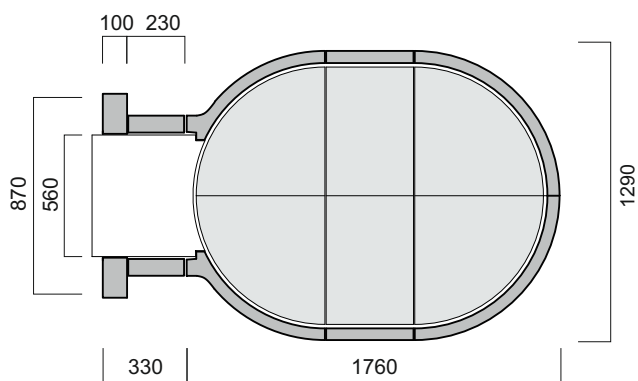
Oven with Arch KIT



Oven assembling KIT with Arch KIT



Oven without Arch KIT



PROCIDA 110 X 160 + ARCH KIT

Components: 6 floor elements, 6 dome elements, 1 sill, 1 metal door with thermometer, 2 lateral parts, brick style arch, standard hood.

Oven external dimensions (mm)	Length 2140 x Width 1290 x Height 640
Flue dimensions (recommended, mm)	250
Pizza capacity (no. of pizzas at a time)	8/10
Oven weight with Arch KIT - Oven only (Kg)	550 - 450