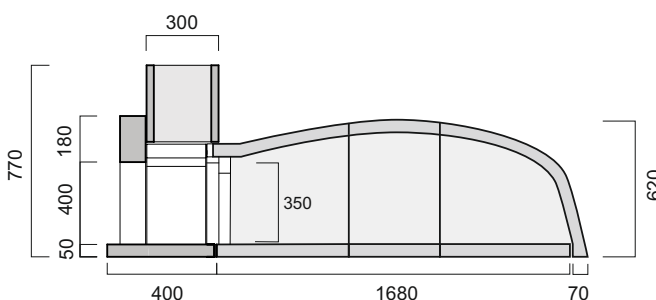
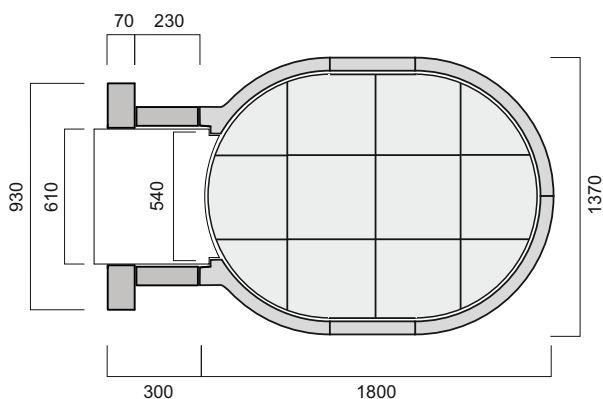


ZIO CIRO

Mod.120 x 165 - Professional woodburning oven



ZIO CIRO

Components: 12 refractory cotto wear resistant floor elements, 6 refractory cotto dome elements, 1 sill, 1 metal door with thermometer, 2 lateral parts, brick style arch, standard hood.

Oven external dimensions (mm)	Length 2150 x Width 1370 x Height 620
Flue dimensions (recommended, mm)	250
Pizza capacity (no. of pizzas at a time)	10/12
Oven weight with Arch KIT (Kg)	820